



# GIGABOT<sup>®</sup>

---

***THINK BIG,  
PRINT HUGE***



— WHEELED PLATFORM  
ASSEMBLY —



# WELCOME

---

This guide will help get your wheeled platform set up and ready to add to your Gigabot®. Should you have any questions, please reach out to [support@re3d.org](mailto:support@re3d.org).

## HELPFUL LINKS

Here are some additional links to help you along the way:

**Wiki:** <http://wiki.re3d.org>

**Community forum:** <https://re3d.zendesk.com/hc/en-us/community/topics>

**re:3D Shop:** <http://shop.re3d.org/>

**Website:** <https://re3d.org/>

**Sketchfab:** <https://sketchfab.com/re3d/models>

**YouTube:** <https://www.youtube.com/user/GigaBot3D>



Rev. February 2017

# LEGALESE

---

## **READ INSTRUCTIONS**

All the safety and operating instructions must be read before the printer is operated.

## **RETAIN INSTRUCTIONS**

The safety and operating instructions should be retained for future reference.

## **HEED WARNINGS**

All warnings on the product and in the operating instructions should be adhered to.

## **FOLLOW INSTRUCTIONS**

All operating and use instructions should be followed

## **CLEANING**

Unplug this product from the wall outlet before cleaning. Do not use liquid or aerosol cleaners.

## **ATTACHMENTS**

Do not use any attachments or enhancements not recommended by the product manufacturer as they may cause hazards.

## **WATER AND MOISTURE**

Do not use Gigabot® near water - for example, near a bath tub, wash bowl, kitchen sink, or laundry tub, in a wet basement, or near a swimming pool, and the like.

## **PLACEMENT**

Do not place this product on an unstable cart, stand, tripod, bracket, or table. The product may fall, causing serious injury to a child or adult, and serious damage to the product. Use only with a cart, stand, tripod, bracket, or table recommended by the manufacturer, or sold with the product. Any mounting of the product should follow the manufacturer's instructions, and should use a mounting accessory recommended by the manufacturer.

## **VENTILATION**

Slots and openings in the cabinet are provided for ventilation and to ensure reliable operation of the product and to protect it from overheating, and these openings must not be blocked or covered. The openings should never be blocked by placing the product on a bed, sofa, rug, or other similar surface. This product should not be placed in a built-in installation such as a bookcase or rack unless proper ventilation is provided or the manufacturer's instructions have been adhered to.

## **POWER SOURCES**

This product should be operated only from the type of power source indicated on the marking label. If you are not sure of the type of power supply to your home consult your appliance dealer or local power company. For products intended to operate from battery power, or other sources, refer to the operating instructions.

## **POWER SOURCES**

This product should be operated only from the type of power source indicated on the marking label. If you are not sure of the type of power supply to your home consult your appliance dealer or local power company. For products intended to operate from battery power, or other sources, refer to the operating instructions.

## **GROUNDING OR POLARIZATION**

This product may be equipped with either a polarized 2-wire AC line plug (a plug having one blade wider than the other) or a 3-wire grounding type plug, a plug having a third (grounding) pin. The 2-wire polarized plug will outlet, try reversing the plug. If the plug still fails to fit, contact your electrician to replace your obsolete outlet. Do not defeat the safety purpose of the polarized plug. The 3-wire grounding type plug will fit into a grounding type power outlet. This is a safety feature. If you are unable to insert the plug into the outlet, contact your electrician to replace your obsolete outlet. Do not defeat the safety purpose of the grounding type plug.

## **POWER-CORD PROTECTION**

Power-supply cords should be routed so that they are not likely to be walked on or pinched by items placed upon or against them, paying particular attention to cords at plugs, convenience receptacles, and the point where they exit from the product.

## **LIGHTNING**

For added protection for this product during a lightning storm, or when it is left unattended and unused for long periods of time, unplug it from the wall outlet and disconnect the antenna or cable system. This will prevent damage to the product due to lightning and power-line surges.

## **OVERLOADING**

Do not overload wall outlets, extension cords, or integral convenience receptacles as this can result in a risk of fire or electric shock. A product and cart combination should be moved with care. Quick stops, excessive force, and uneven surfaces may cause the product and cart combination to overturn.

## **OBJECT AND LIQUID ENTRY**

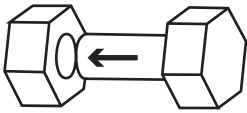
Never push objects of any kind into this product through openings as they may touch dangerous voltage points or short-out parts that could result in a fire or electric shock. Never spill liquid of any kind on the product.

# ***TABLE OF CONTENTS***

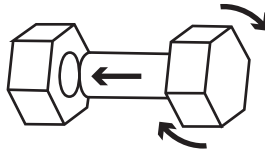
<b>LEGEND</b>	<b>1</b>
<b>FRAME ASSEMBLY</b>	<b>2</b>
<b>CASTER &amp; TIE PLATE ATTACHMENT</b>	<b>9</b>
<b>GIGABOT PLACEMENT</b>	<b>16</b>
<b>CONCLUSION</b>	<b>21</b>

# LEGEND

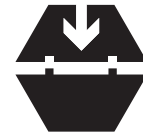
**INSERT**



**FASTEN**



**PLACE**



**ALIGN**



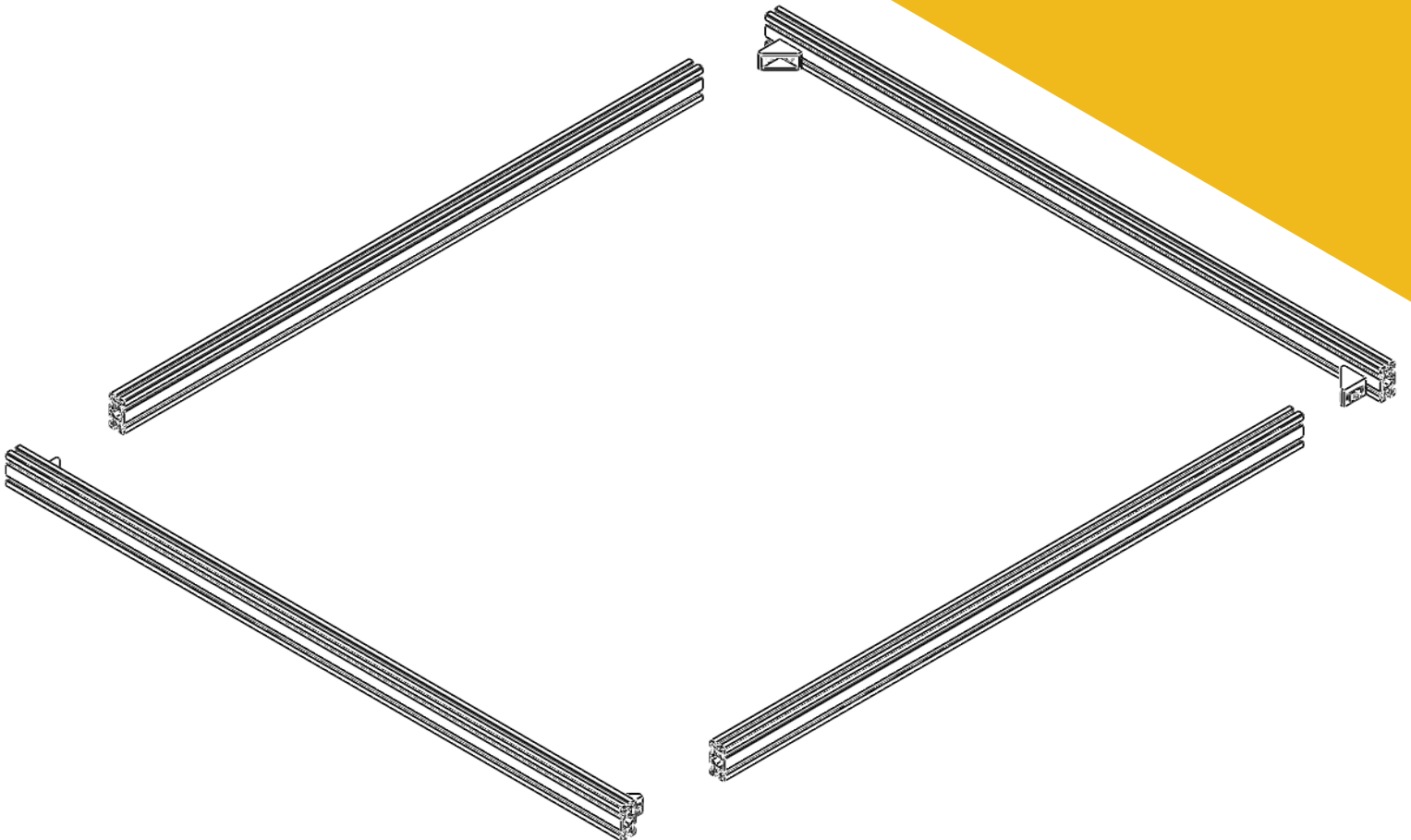
**LOCATE**



Objects of important are outlined with dotted lines, or highlighted.



# ***FRAME ASSEMBLY***





# TOOLS & PARTS

Refer to packing list to identify parts

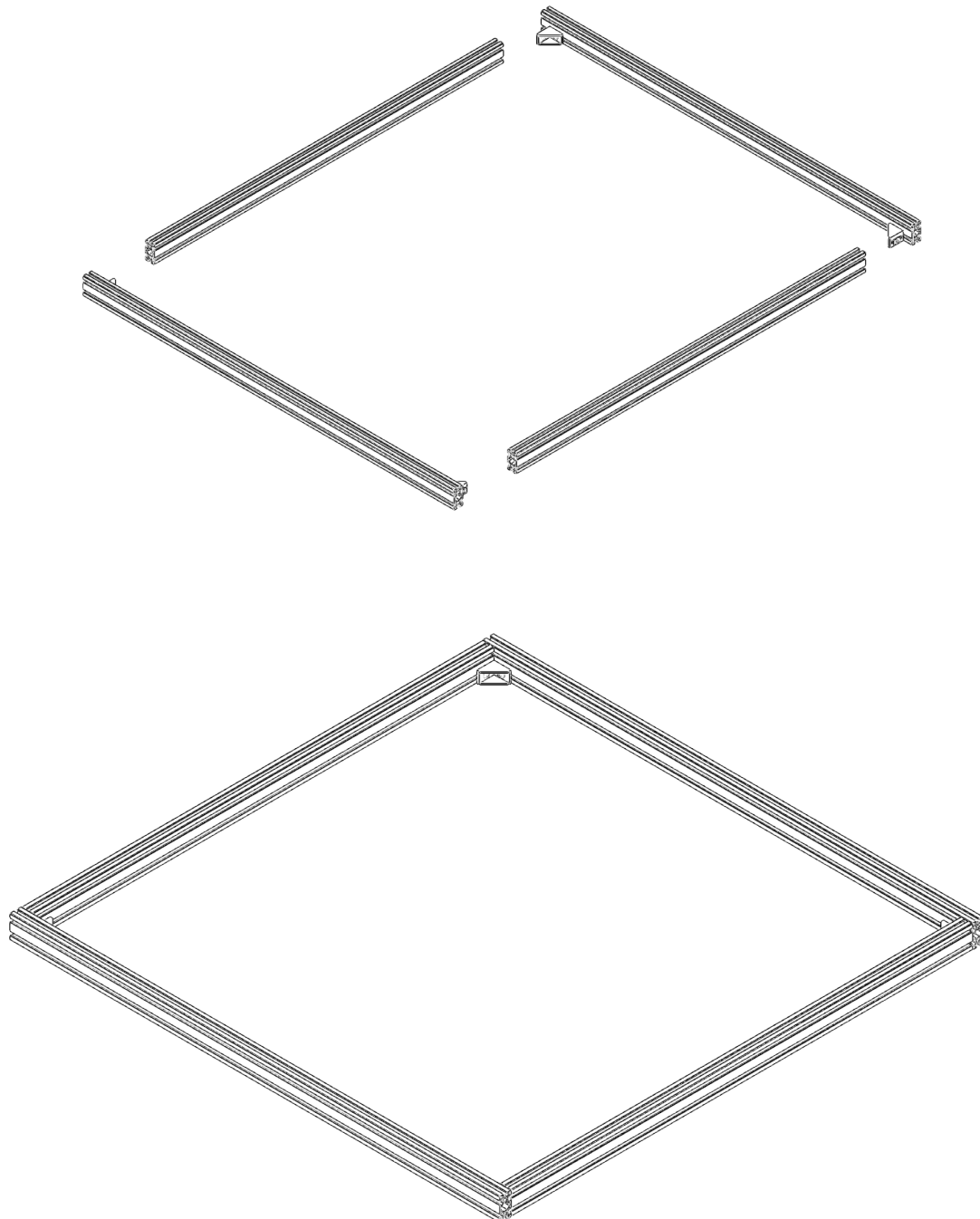
<b>BOX #</b>	<b>PART</b>	<b>QUANTITY</b>
1	Cross rails	2
1	Common rails	2
1	Triangle brackets	4
1	M5x10mm BHCS	8
1	M5 T-nuts	16
	Precision square	1
	3mm Allen Key	1

**WATCH THE  
ACCOMPANYING  
VIDEO:**

[https://www.youtube.com/watch?v=ylcpWlrr\\_fg](https://www.youtube.com/watch?v=ylcpWlrr_fg)

# OVERVIEW

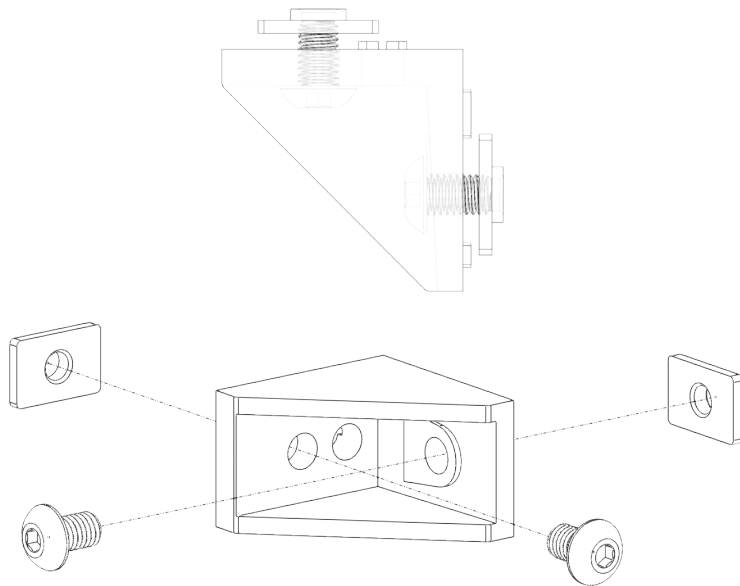
In this section, the frame of the wheeled platform will be assembled, as shown below.



# TIPS & TRICKS

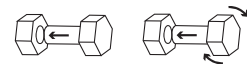
---

- #1** Work on a flat surface.
- #2** Use a precision square to ensure squareness of adjacent rails before fully fastening the M5x10mm screws.
- #3** Be mindful of the orientation of the T-nuts in the common rail.

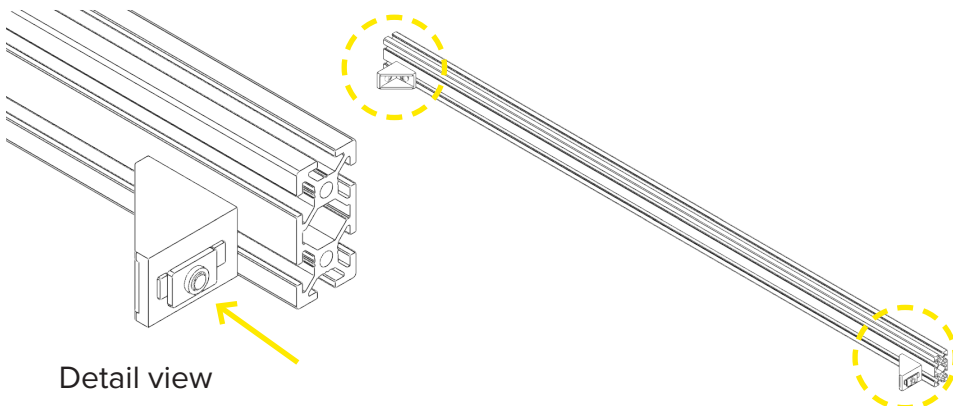


## A1

In this assembly, you will use 4 triangle angle brackets. Prepare each bracket by inserting 2 M5x10mm BHCS in each and loosely fasten a M5 T-nut to each.

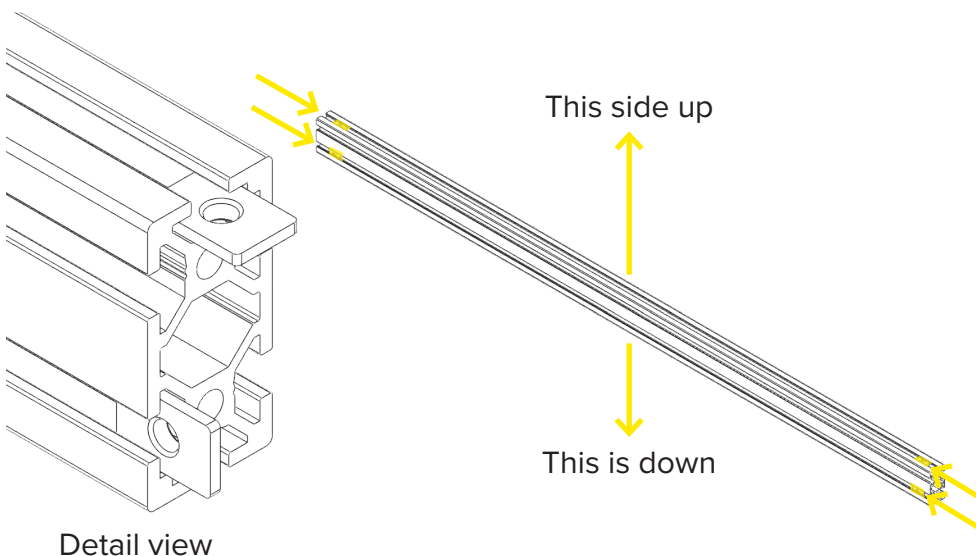
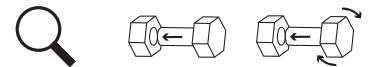


33.5" or 850mm



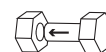
## A2

Identify the cross rails (33.5" or 850mm). Attach 2 triangle bracket assemblies to each end of a cross rail as shown. Tighten the M5x10mm BHCS with the 3mm Allen Key. Do this for both cross rails.



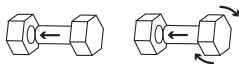
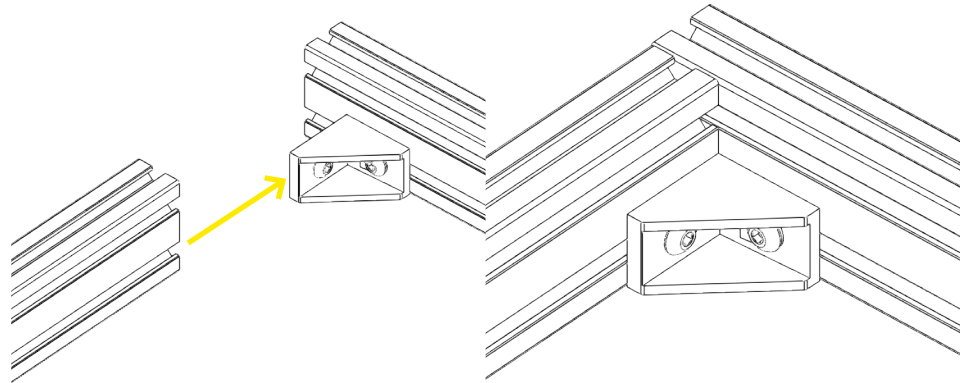
## A3

The remaining rails are the common rails. Insert 4 T-nuts into each rail as shown. These are for attaching the casters and tie plates later.



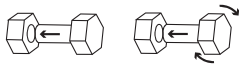
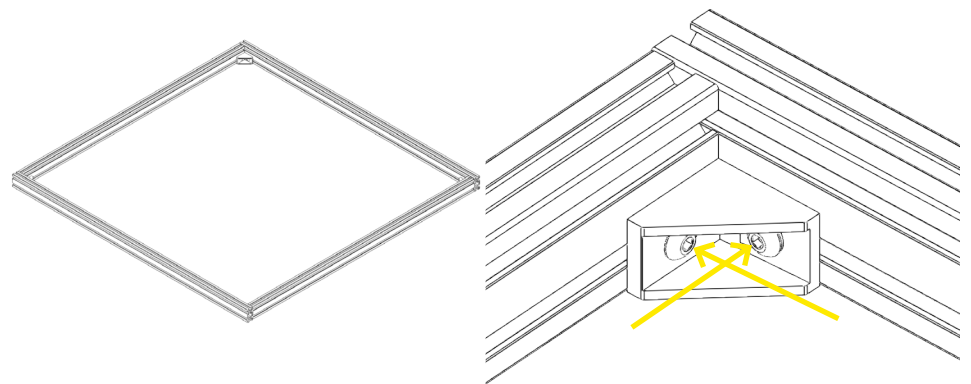
## A4

Connect a common rail to a cross rail by sliding the triangle bracke T-nut into the slot of the common rail as shown. Maintain the orientation from A3 for the common rail. Be careful not to tilt the rail such that the T-nuts fall out.



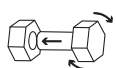
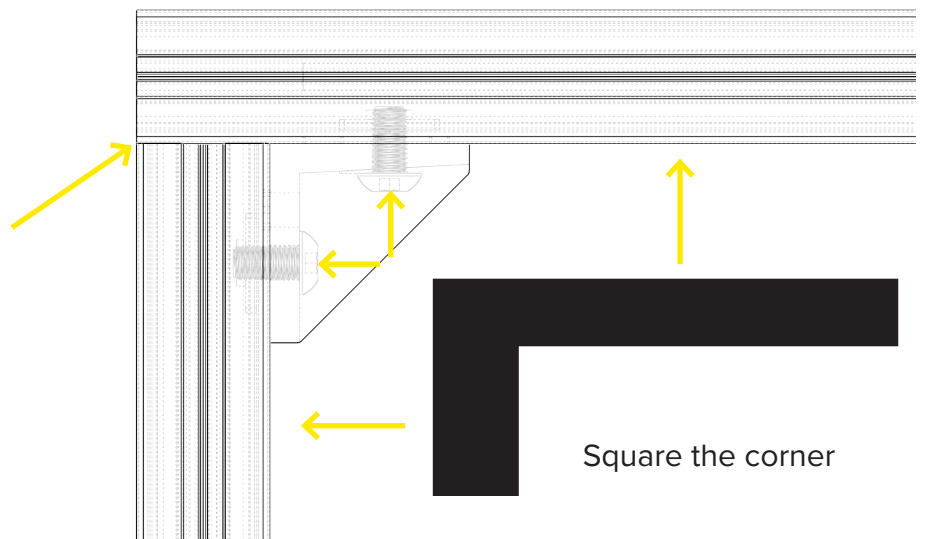
## A5

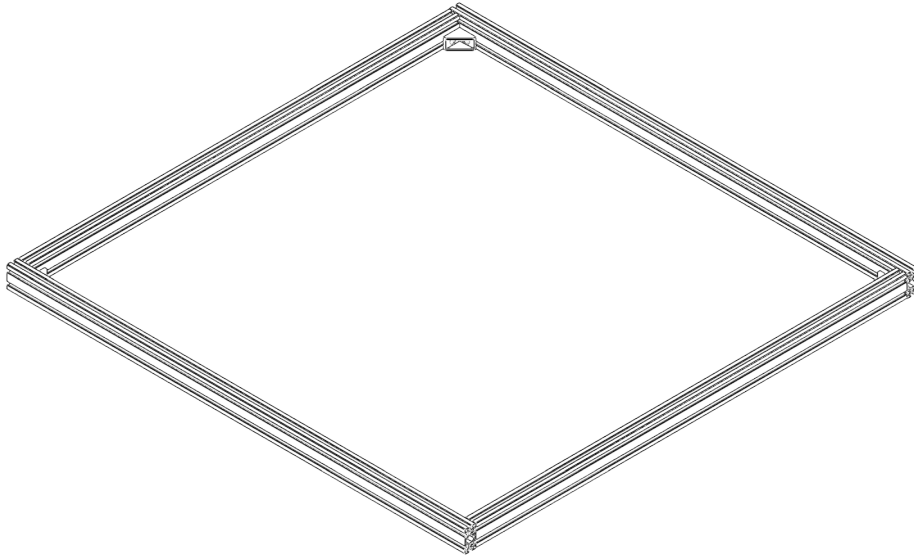
Repeat this until you have assembled the entire frame. Loosely fasten the M5x10mm BHCS for now.



## A6

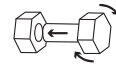
Use the precision square to square up a corner. Also, make the end of the cross rail flush with the common rail. Fully fasten the M5x10mm BHCS using the 3mm Allen Key.





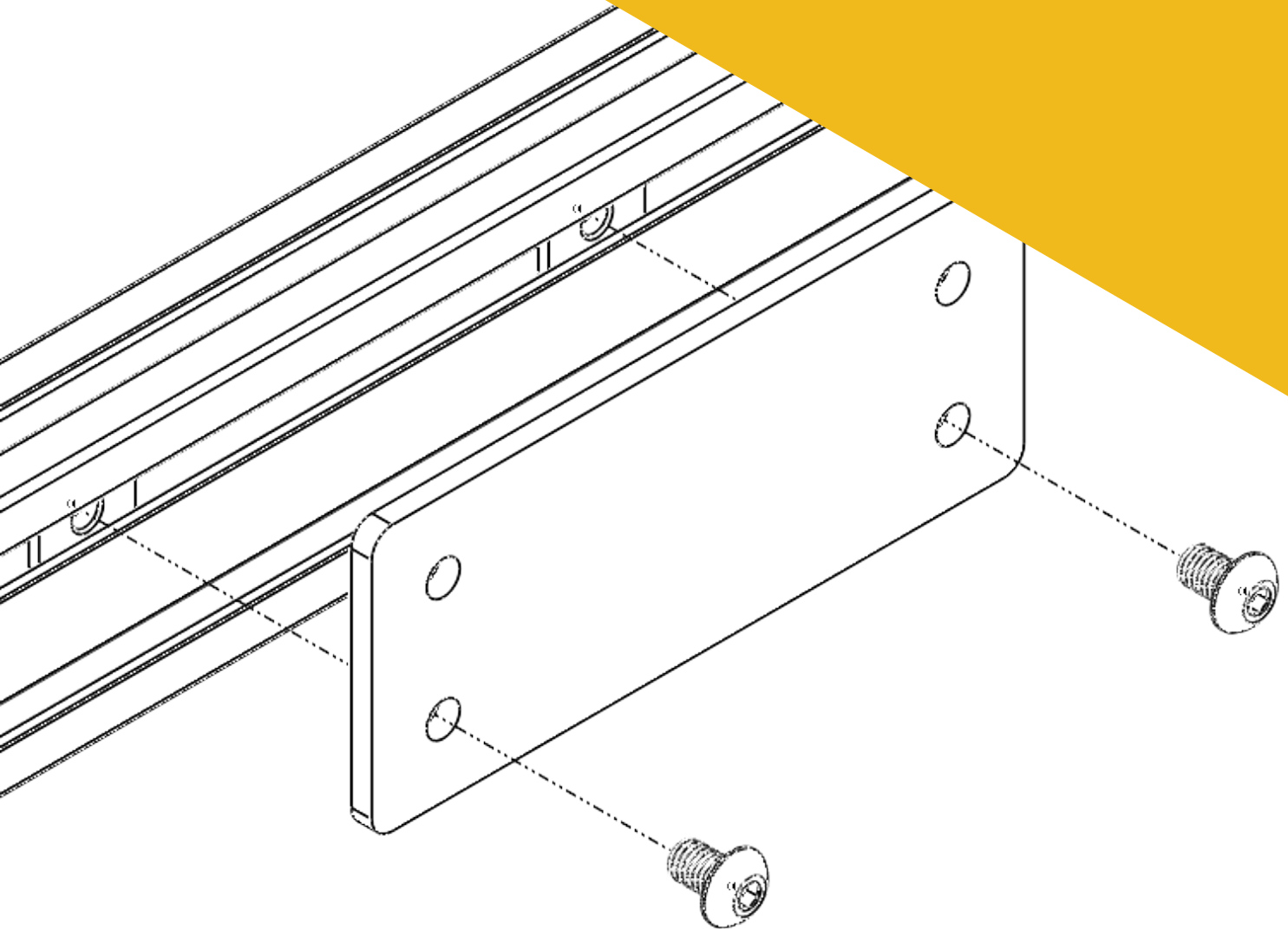
## **A7**

Repeat step A6 for all corners.





# **CASTER & TIE PLATE ATTACHMENT**



# TOOLS & PARTS

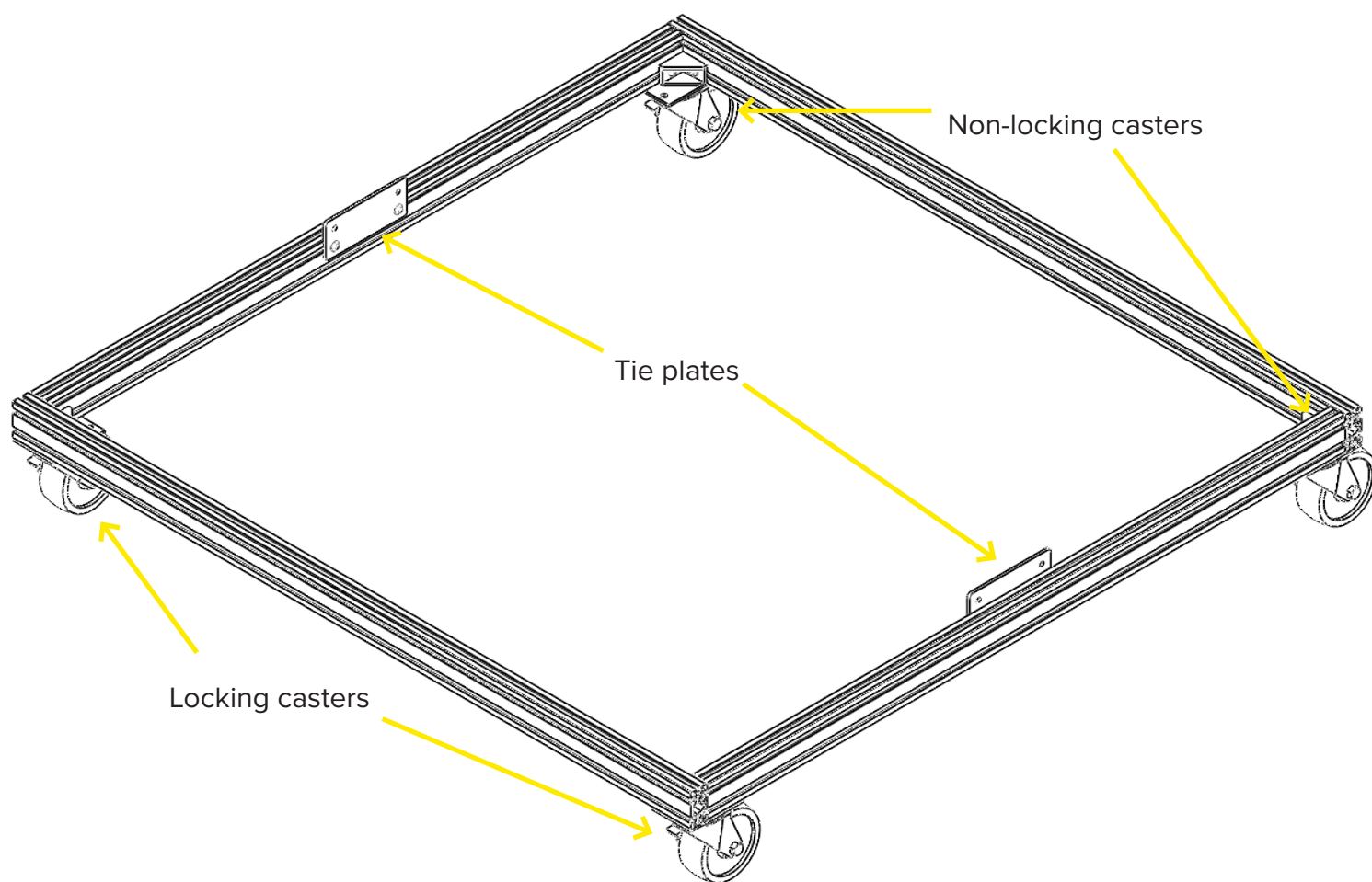
*Refer to packing list to identify parts*

<b>BOX #</b>	<b>PART</b>	<b>QUANTITY</b>
1	Tie plates	2
1	M5x8mm BHCS	4
1	Locking casters	2
1	Non-locking casters	2
1	M5x12mm BHCS	12
1	M5 fender washers	12
1	M5 T-nuts	8
	3mm Allen Key	1



# OVERVIEW

In this section, you will attach the casters and the tie plates to the wheeled platform.



# TIPS & TRICKS

---

- #1** Work on a flat surface.
- #2** Remember to attach the caster wheels using fender washers along with the M5x12mm BHCS.

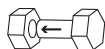
## B1

The frame should already be oriented such that these T-nuts are facing up (refer to steps A3 and A4). If not, flip the frame around to make it so.



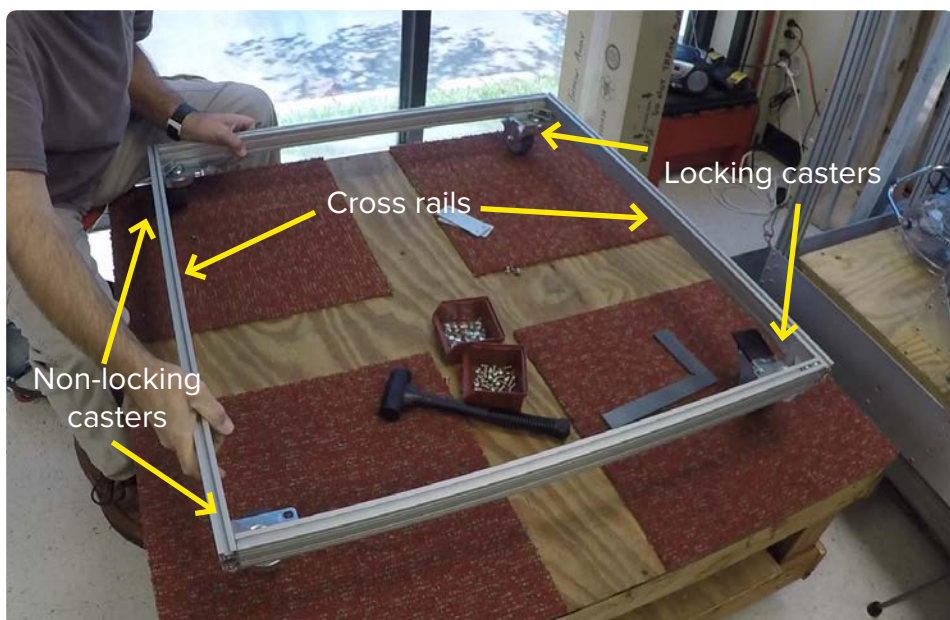
## B2

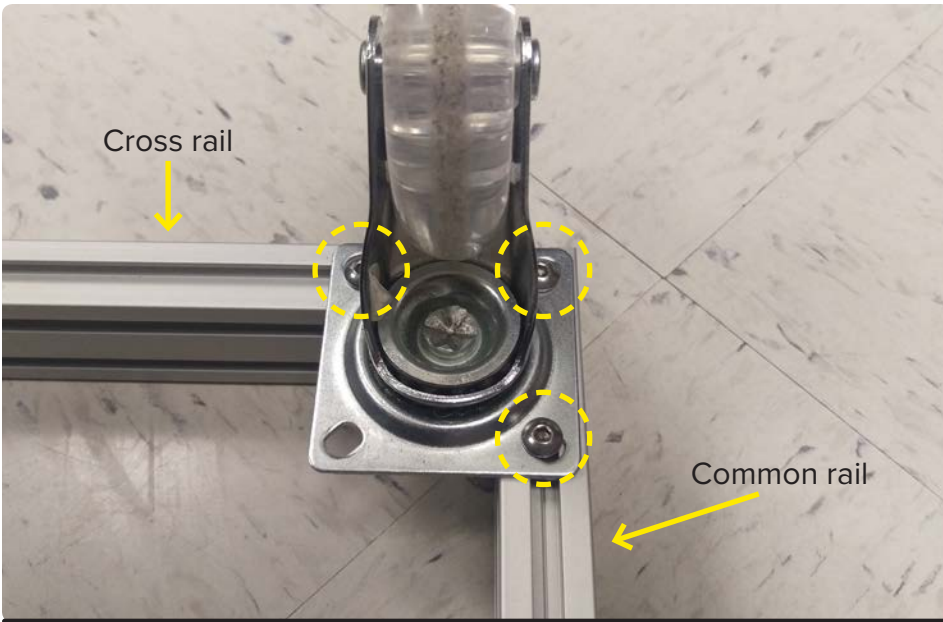
Insert 2 T-nuts at each end of both cross rails as shown.



## B3

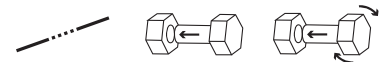
Locking and non-locking casters should be grouped together along each cross rail, as shown.





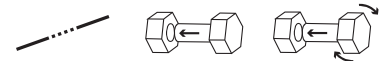
## **B4**

Attach each caster by aligning the T-nuts to the holes in the caster and fastening M5x12mm BHCS and a fender washer to each one. Use the 3mm Allen Key to tighten.



## **B5**

Repeat this to install all caster wheels. Note that steps B5 and B6 show an older version platform with 4 locking casters - this is no longer the case.

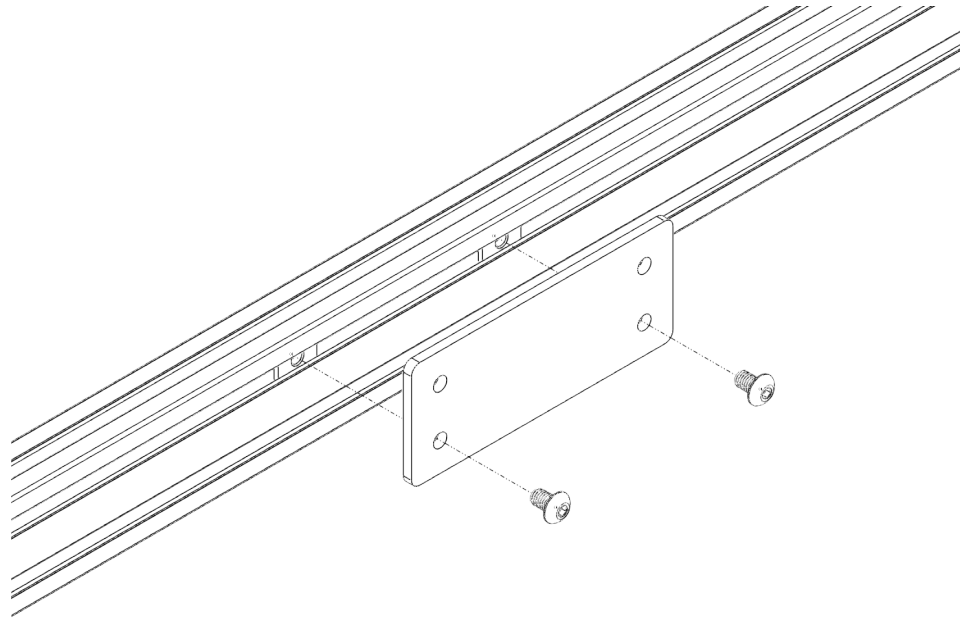
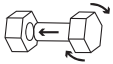


## **B6**

Flip the frame assembly over so that the wheels are now on the ground.

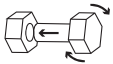
## **B7**

Loosely fasten each tie plate as shown using 2 M5x8mm BHCS and the 3mm Allen Key.



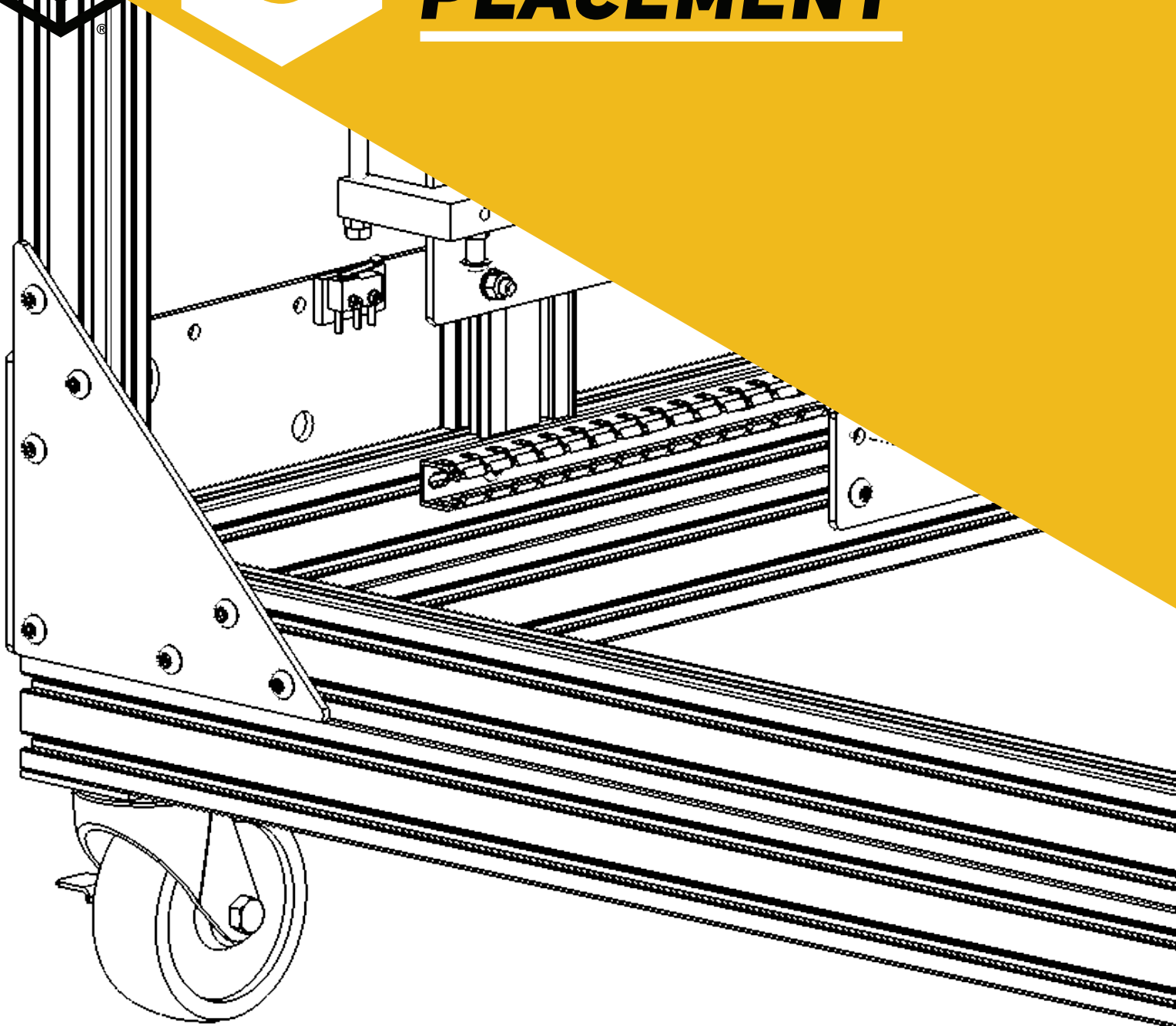
## **B8**

Slide the tie plates so that they are approximately in the center of the common rail, and then fully fasten the M5x8mm BHCS. Do this for both tie plates.





# **GIGABOT** **PLACEMENT**



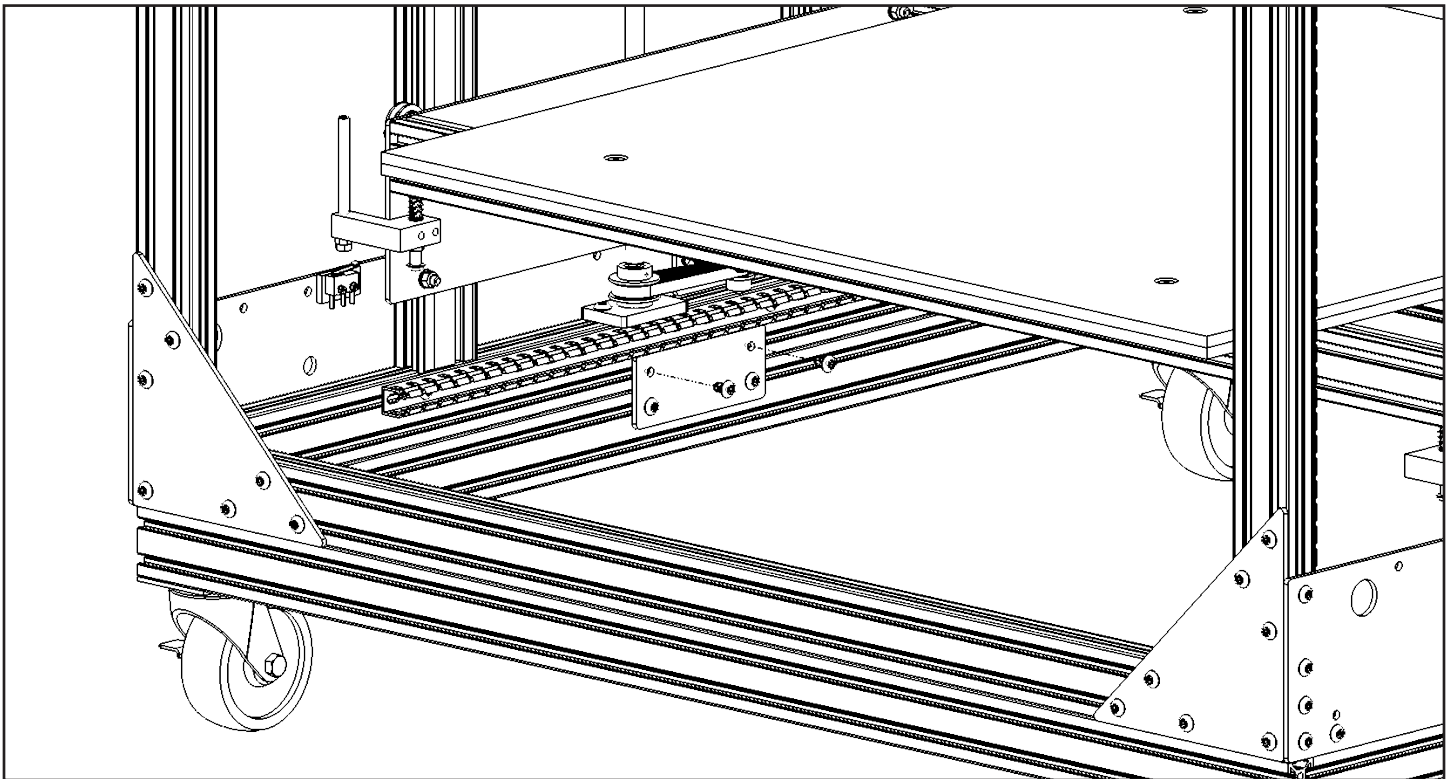
# TOOLS & PARTS

*Refer to packing list to identify parts*

<b>BOX #</b>	<b>PART</b>	<b>QUANTITY</b>
1	M5x8mm BHCS	2
	3mm Allen Key	1

# OVERVIEW

In this section, you will place the Gigabot® onto the wheeled platform and fasten them together using the tie plates.





# TIPS & TRICKS

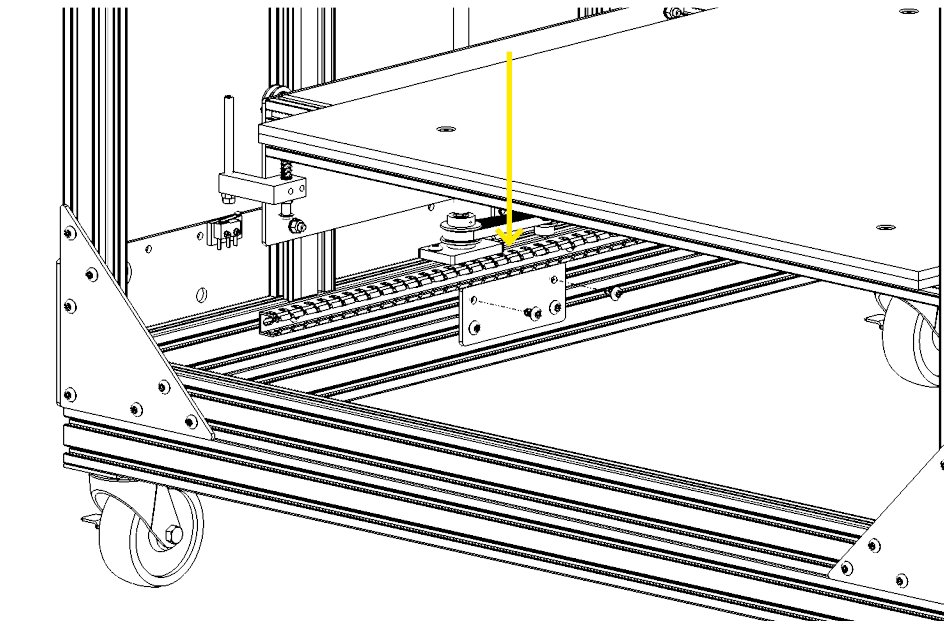
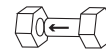
---

- #1** It may help to lock the locking casters on the wheeled platform prior to placing the Gigabot® on top of it.
- #2** Do not attempt to lift the Gigabot® alone - always seek help to do so!
- #3** Carefully lower the Gigabot® onto the platform and be careful not to damage the tie plates.



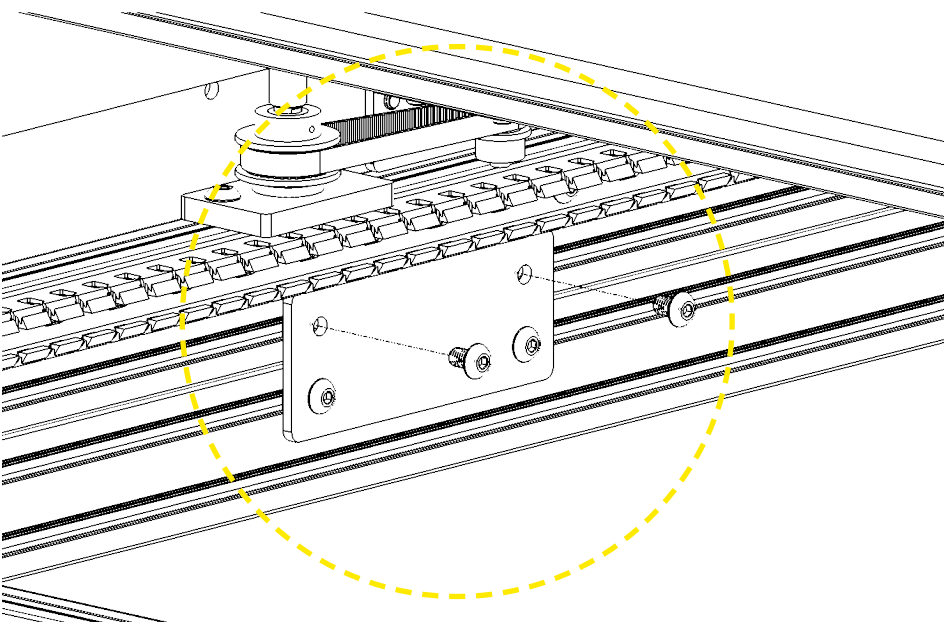
### C1

On the lower common rails of the Gigabot® frame, insert 2 M5 magic T-nuts as shown.



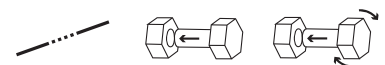
### C2

Enlist the help of at least one other person and lift the Gigabot® onto the wheeled platform.



### C3

Align the T-nuts with the tie plate holes and use 2 M5x8mm BHCS and the 3mm Allen Key to fasten each tie plate to the magic T-nuts in the Gigabot® frame.



# CONCLUSION

---

## **CONGRATULATIONS! YOU HAVE NOW COMPLETED THE ASSEMBLY OF YOUR WHEELED PLATFORM!**

We are confident that you will find great use out of the Gigabot's new mobility, but please do not hesitate to contact us for any further issues or questions. Feedback on assembly instructions, support, and other aspects of your experience are welcome. Reach out to us at:

**FORUM:** <https://re3d.zendesk.com/hc/en-us/community/topics>

**WIKI:** [wiki.re3d.org](http://wiki.re3d.org)

**EMAIL:** [support@re3d.org](mailto:support@re3d.org)

**PHONE:** 512-730-0033

Happy printing!







**re:3D Inc.® | [re3d.org](http://re3d.org) | [support@re3d.org](mailto:support@re3d.org)**