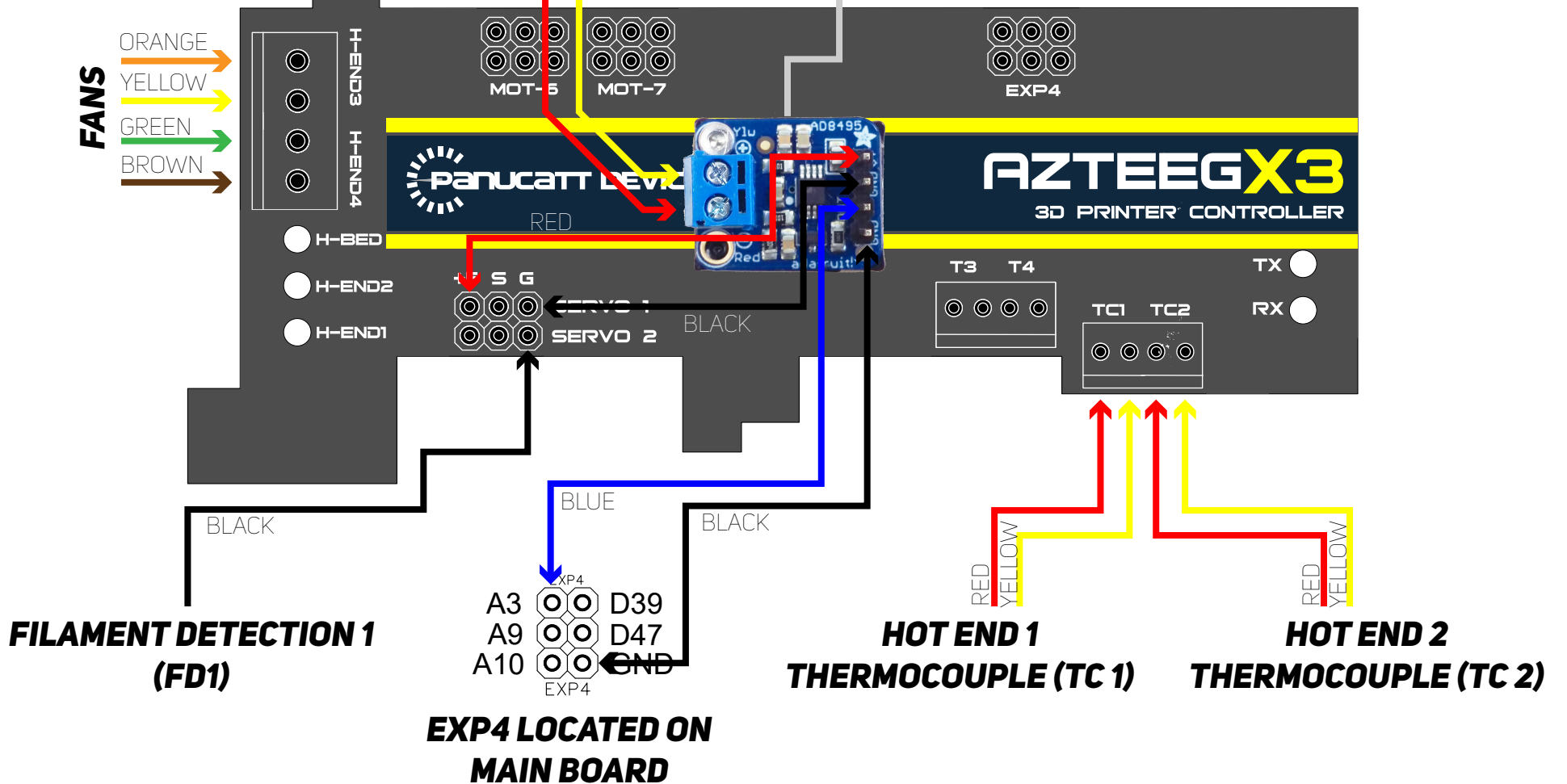
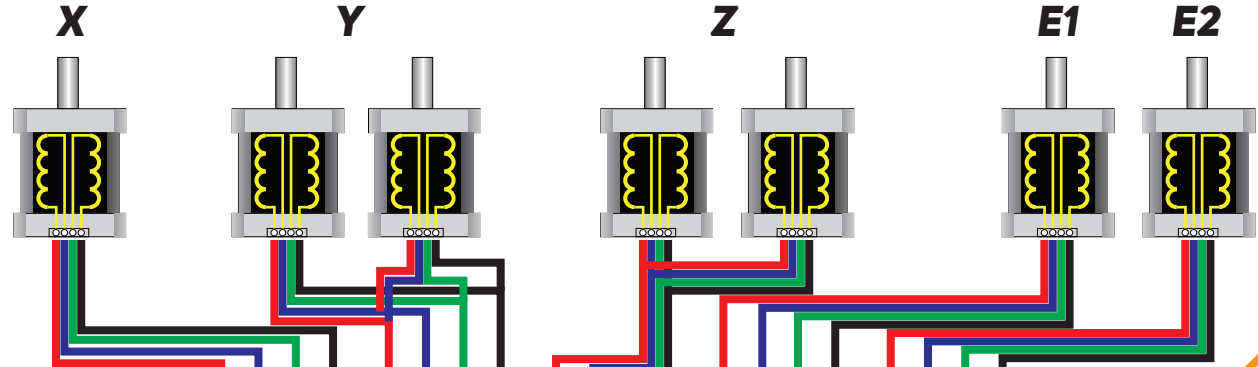




### BED THERMOCOUPLE

### ADAFRUIT AD8495 DAUGHTER BOARD



NOTE THAT THE Y AXIS STEPPERS ARE CROSS-WIRED SINCE CLOCKWISE MOTION FOR ONE REQUIRES COUNTER-CLOCKWISE MOTION OF THE OTHER FOR SAME MOVEMENT.



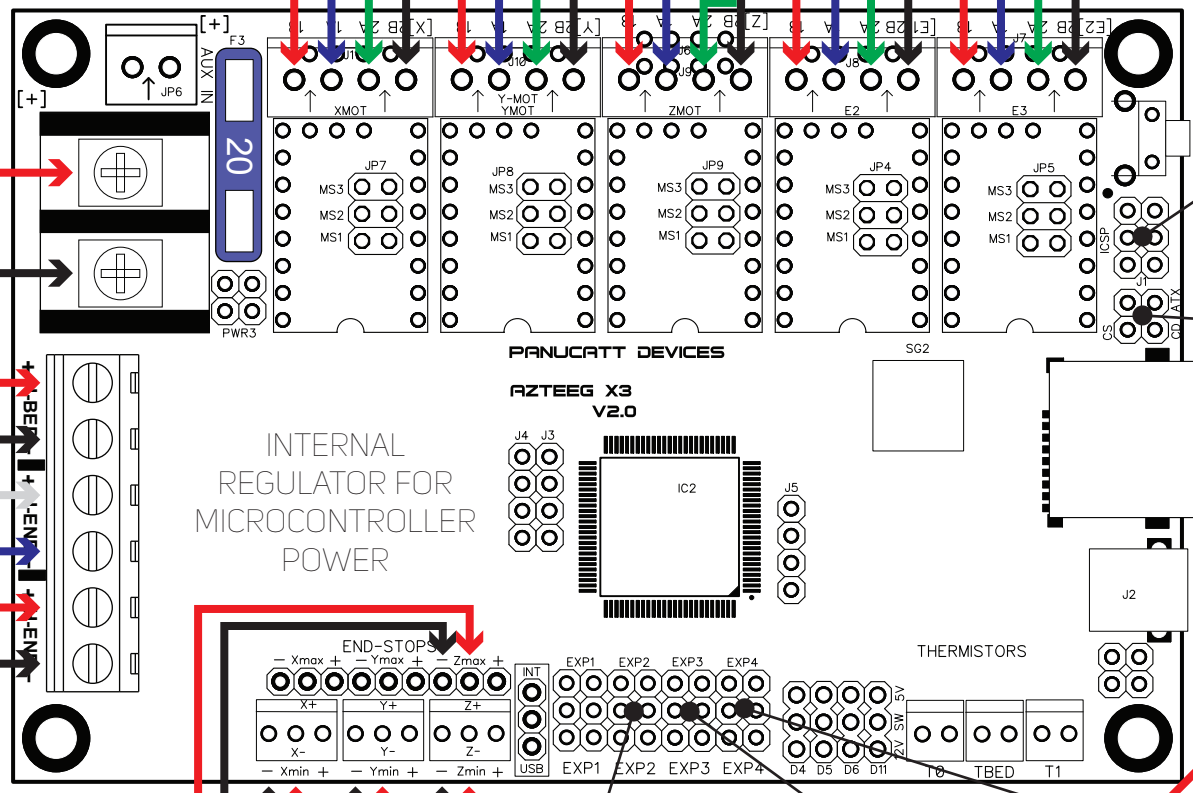
\* OLDER VIKI 2 UNITS MAY HAVE:  INSTEAD OF: 

24 VDC

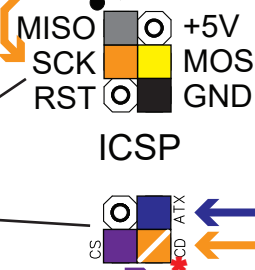
HB RELAY

HOT END 2

HOT END 1





**VIKI 2 CABLE BUNDLE 1**



**FILAMENT DETECTION 2 (FD2)**

**FILAMENT DETECTION 1 (FD1)**

Z MAX (ZL)  
X MIN  
Y MIN  
Z MIN (ZU)

\* OLDER VIKI 2 UNITS MAY HAVE:  INSTEAD OF: 

**VIKI 2 CABLE BUNDLE 1**

**VIKI 2 CABLE BUNDLE 2**

BLUE & GREEN UNUSED

SERVO 2 GND PIN ON COVER

FROM ADAFRUIT AD8495 DAUGHTERBOARD